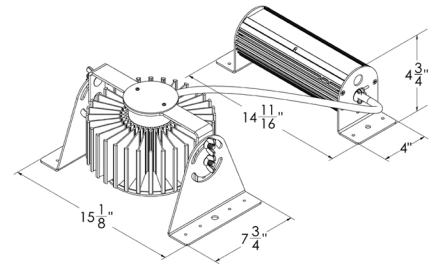
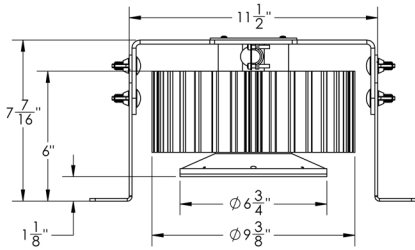


Fixture With Remote Driver



ELECTRICAL ETL listed with Universal AC input 100 to 277 V. 50/60 Hz. Limited inrush current allows up to twelve fixtures on a 20 Amp circuit. Quiescent power is less than a Watt with fixture powered on and DMX at level zero. The LED driver has a 320,000 hour mean time between failures. The remote driver can be up to 120' away from the light unit.

DIMMING CONTROL Extremely smooth DMX controlled dimming all the way to zero output level. Single channel DMX controlled, with up to 16.7 million interpolated steps from off to full intensity. 30,000 Hz output produces no flicker to the eye or video with either line scan or global shutter cameras. DMX input is fully isolated to 2500 Volts per microsecond. Three easy-to-use rotary switches for setting the DMX address.

LED MODULE The 60 individual Cree LEDs are carefully selected to maintain minimal color variance from fixture to fixture. Pleasing full spectrum light with all the visible colors represented. All LED modules and dimmers are manufactured at The Light Source in Charlotte, NC. Extensive production testing ensures over 105,000 hour life to L70. No appreciable IR or UV is produced by the LED module. The LED Module is field replaceable utilizing normal hand tools.

OPTICAL Single source LED emulates the look and feel of an incandescent fixture. 6" diameter tempered borosilicate glass Fresnel lens produces an extremely smooth light beam. The beam center intensity value spreads evenly to the edge of the beam with a small field, producing low glare.

THERMAL Incredible thermal management keeps the LEDs cool, providing increased brightness and Lumen maintenance. Maximum heat exchange provided with a huge passive convection-cooled aluminum heat sink. Silent operation with no fans to generate noise. Maximum ambient operating temperature is 122 degrees F (50 degrees C).

WARRANTY 10 year parts replacement on complete LED fixture and electronics. Ship the LED fixture to the factory freight prepaid. The LED fixture will be repaired or replaced at the factory's option, and returned freight prepaid. Fixture repair parts may also be sent for qualified repairs onsite.

Damage from improper wiring, installation, and lightning are excluded from warranty repair.

AGENCY RATINGS

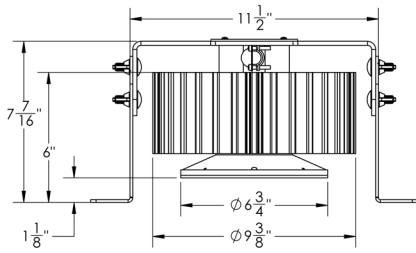
ETL listed in US and Canada



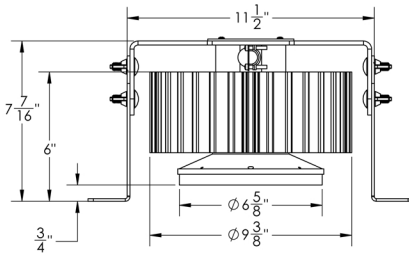
Catalog Number Example: RD100B78-30PXT

FIXTURE SERIES	INPUT WATTAGE	FINISH	OPTICAL BEAM ANGLE	-	LED COLOR TEMPERATURE
RD Remote Driver	100	B Black	78 78° 6" Fresnel lens		27 2700 K
	120	C Custom Color	65 65° 6" Fresnel lens		30 3000 K
	150	W White	52 52° 6" Fresnel lens		35 3500 K
			44 44° 6" Fresnel lens		40 4000 K
			36 36° 6" Fresnel lens		50 5000 K
			30 30° 6" Fresnel lens		56 5600 K
			25 25° 6" Fresnel lens		
			20 20° 6" Fresnel lens		

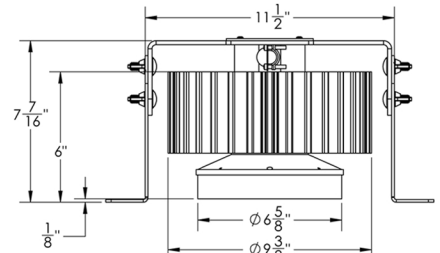
POWER CONNECTION	DATA CONNECTION	FIXTURE SUPPORT METHOD	-	LED Module
C Conduit into Fixture 100-277V	I IDC Plug on Header	M Mega-Clamp (X4)		
P Panel Mount Powercon 100-250V	J External RJ-45's	P Purlin Clamp (X4)		
R 1/2" Romex Cable Clamp 100-277V	N Non Dimming Fixture - No Data	T Trunnion Mount		
W 18/3 SJO 72" Wire Whip 100-277V	T Screw Terminal Plug on Header			
	W Wireless Lumen Radio Control			
	X External 5 Pin XLR's			
	Z External 3 Pin XLR's			



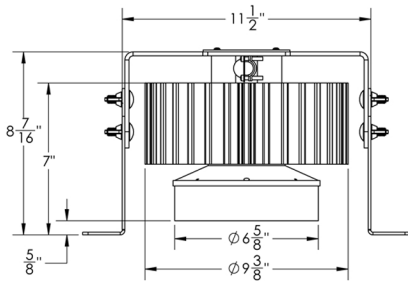
78°



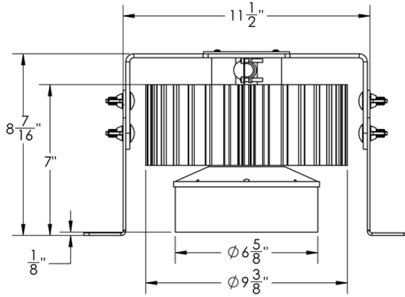
52°, 65°



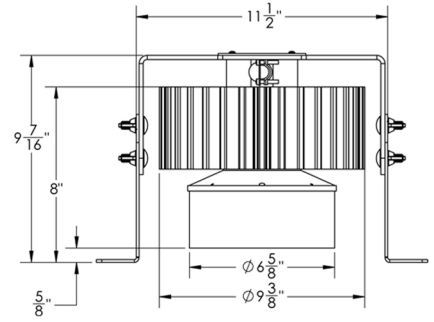
44°



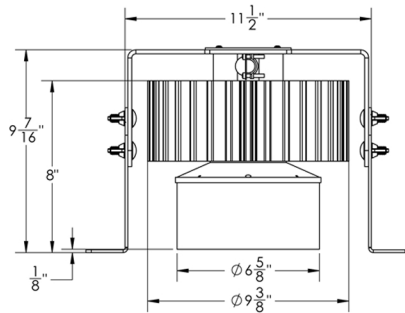
36°



30°



25°



20°

Fixture Power and Beam Angle	Input Watts	Photometrics				Distance Beam ϕ Multiplier	Candela	Intensity and Beam diameter on floor in feet at different mounting heights in feet																
		Beam	Field	Lumens	Lum/Watt			Mounting Height	8	10	12	15	20	25	30	35	40	45	50					
100 Watt 78 Degree	100	82	95	9,579	95.5	1.75	6,040	Footcandles	94	60	42	27	15	10	7	5	4	3	2					
								Beam Diameter	14	18	21	26	35	44	53	61	70	79	88					
100 Watt 65 Degree	100	70	80	9,172	91.5	1.40	7,904	Footcandles	123	79	55	35	20	13	9	6	5	4	3					
								Beam Diameter	11	14	17	21	28	35	42	49	56	63	70					
100 Watt 52 Degree	100	56	79	9,546	95.2	1.08	11,056	Footcandles	173	111	77	49	28	18	12	9	7	5	4					
								Beam Diameter	9	11	13	16	22	27	32	38	43	48	54					
100 Watt 44 Degree	100	49	67	9,089	90.7	0.90	14,238	Footcandles	222	142	99	63	36	23	16	12	9	7	6					
								Beam Diameter	7	9	11	14	18	23	27	32	36	41	45					
100 Watt 36 Degree	100	40	55	9,234	92.0	0.75	21,191	Footcandles	331	212	147	94	53	34	24	17	13	10	8					
								Beam Diameter	6	8	9	11	15	19	23	26	30	34	38					
100 Watt 30 Degree	100	32	48	8,977	89.6	0.61	28,495	Footcandles	445	285	198	127	71	46	32	23	18	14	11					
								Beam Diameter	5	6	7	9	12	15	18	21	24	27	30					
100 Watt 25 Degree	100	28	42	8,664	86.3	0.51	34,155	Footcandles	534	342	237	152	85	55	38	28	21	17	14					
								Beam Diameter	4	5	6	8	10	13	15	18	20	23	26					
100 Watt 20 Degree	100	22	33	7,995	79.7	0.41	46,998	Footcandles	734	470	326	209	117	75	52	38	29	23	19					
								Beam Diameter	3	4	5	6	8	10	12	14	16	18	20					

Beam angle is to 50% of center intensity, Field angle is to 10% of center intensity. 3000 Degrees Kelvin, Minimum 80 CRI, Typical 82 CRI,
 Universal Power Input 100-277VAC - 100 Watts wall plug Ratings: 120V .84 amps .99 PF, 208V .5 amps .95 PF, 240V .44 amps .92 PF, 277V .4 amps .86 PF
 The Light Source fixtures are available in 2700K, 3000K, 3500K, 4000K, and 5000K.

Fixture Wattage	100	120	150
Lumen/Intensity Multiplier	1.00	1.12	1.29

Updated 8/8/2017